

Fan for 3RW55 Size 5



Figure similar

| | |
|--------------------------------|-------------|
| product designation | Fans |
| manufacturer's article number | |
| • of soft starter | 3RW555 (3x) |
| Substance Prohibittance (Date) | 10/21/2019 |

| | |
|------------------------------------|----------------|
| Ambient conditions | |
| ambient temperature during storage | -40 ... +80 °C |

| | | | |
|--------------------------|---------------------------|-------------------|-------------------|
| Certificates/ approvals | | | |
| General Product Approval | Declaration of Conformity | Test Certificates | Marine / Shipping |

[Confirmation](#)


EG-Konf.


[Type Test Certificates/Test Report](#)


ABS

Marine / Shipping

other



LRS



PRS



DNV-GL

[Confirmation](#)

Further information

Information- and Downloadcenter (Catalogs, Brochures,...)

<https://www.siemens.com/ic10>

Industry Mall (Online ordering system)

<https://mall.industry.siemens.com/mall/en/en/Catalog/product?mlfb=3RW5985-0FF00>

Cax online generator

<http://support.automation.siemens.com/WW/CAXorder/default.aspx?lang=en&mlfb=3RW5985-0FF00>

Service&Support (Manuals, Certificates, Characteristics, FAQs,...)

<https://support.industry.siemens.com/cs/ww/en/ps/3RW5985-0FF00>

Image database (product images, 2D dimension drawings, 3D models, device circuit diagrams, EPLAN macros, ...)

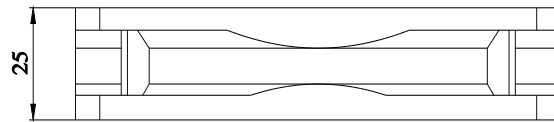
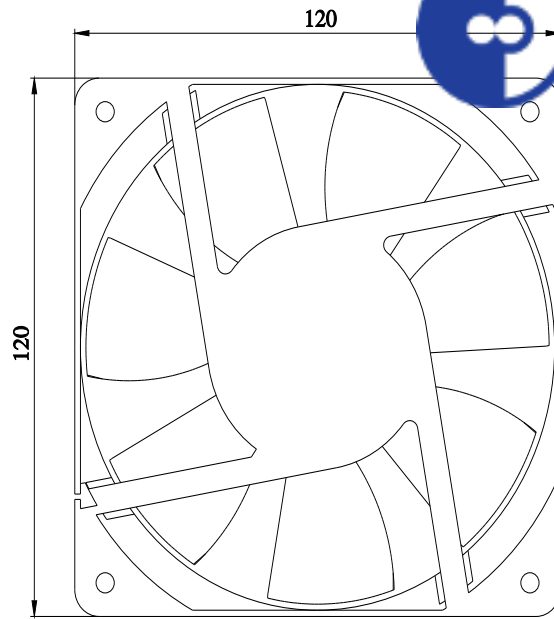
http://www.automation.siemens.com/bilddb/cax_de.aspx?mlfb=3RW5985-0FF00&lang=en
Characteristic: Tripping characteristics, I_t, Let-through current
<https://support.industry.siemens.com/cs/ww/en/ps/3RW5985-0FF00/char>

Characteristic: Installation altitude

<http://www.automation.siemens.com/bilddb/index.aspx?view=Search&mlfb=3RW5985-0FF00&objecttype=14&gridview=view1>

Simulation Tool for Soft Starters (STS)

<https://support.industry.siemens.com/cs/ww/en/view/101494917>



last modified:

1/18/2021 

